

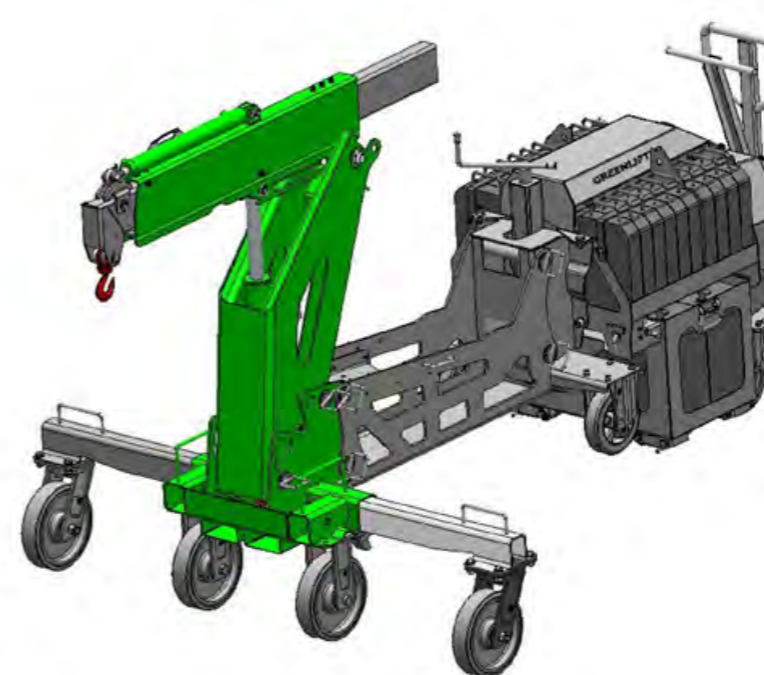
Data subject to change without prior notice
Edition 03/2020 © 2020 JMG Cranes S.p.A. All rights reserved
Rev.1 - 03/20



Electric Pick & Carry Cranes

JMG Cranes S.p.A.

Sales & Service Office
Via Bergamo, 142
26100 Cremona - Italy
t +39 0372 1786738
Production Plant
Via Sito Nuovo 14
29010 Sarmato (PC) - Italy
t +39 0523 8486
e info@jmgcranes.com



**GREENLIFTER
(inch)**
Max Capacity 1,950 lbs

www.jmgcranes.com



BOOM ELECTRO-HYDRAULIC CONTROLS BY BATTERY OPERATED RADIO-CONTROL
MANUAL DRIVING AND STEERING
FULLY DISMOUNTABLE

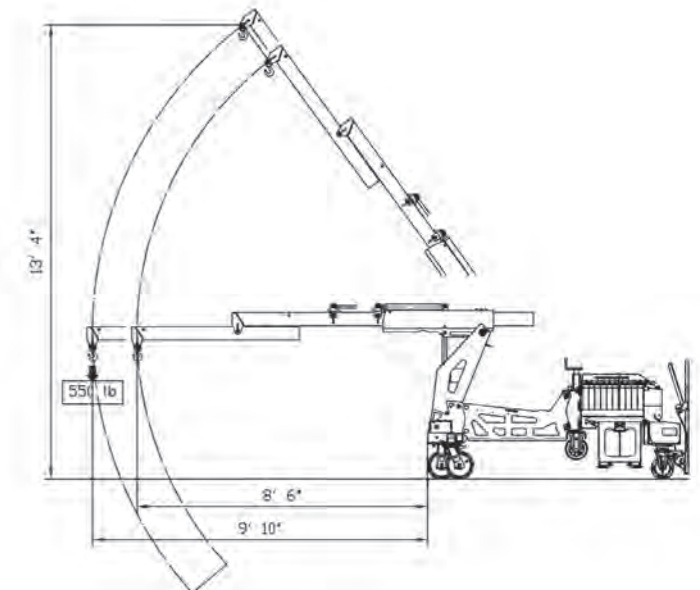
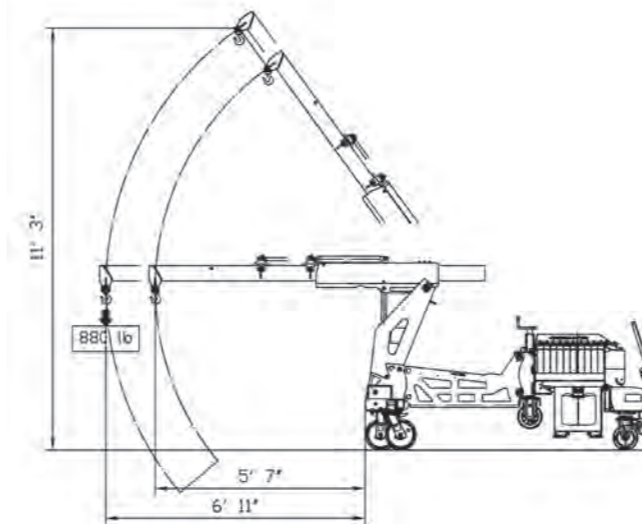
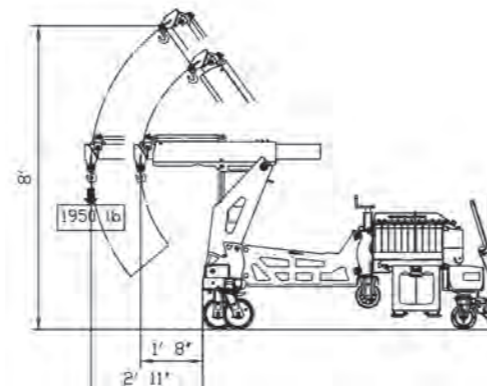


i Technical features

Max Capacity lbs	1,950
	7'8" x 5'8" x 5'1"

Manual driving	Boom electro-hydraulic controls by battery operated radio-control. (up-down / in-out)
Total lbs 2,330 Removable counterweights lbs 880 Removable battery lbs 420	Mechanical parking brake on front wheels and negative drum brake to be activated by the steering helm on rear wheels
24 V - 240 Ah 8 working hours	Fabricated from preformed and welded quality steel plate
Front 4 polyurethanic 250x60 Rear 2 in polyurethanic 200x50	+55°/-40°
Rear Steering angle -90°/+90°	

i Load charts



EU Standards CE

	Classificazione UNI ISO 4301-2:A1
	Direttive comunitarie 2006/42/CE- 2000/14/CE -2014/30 UE 2014/35/UE - D.Lgs 262/2002 e successive modifiche
	Normative di riferimento EN 13000:2014 e successive modifiche

Dimensions

