

Data subject to change without prior notice  
Edition 03/2020 © 2020 JMG Cranes S.p.A. All rights reserved  
Rev.1 - 03/20



## Electric Pick & Carry Cranes

### JMG Cranes S.p.A.

Sales & Service Office

Via Bergamo, 142

26100 Cremona - Italy

t +39 0372 1786738

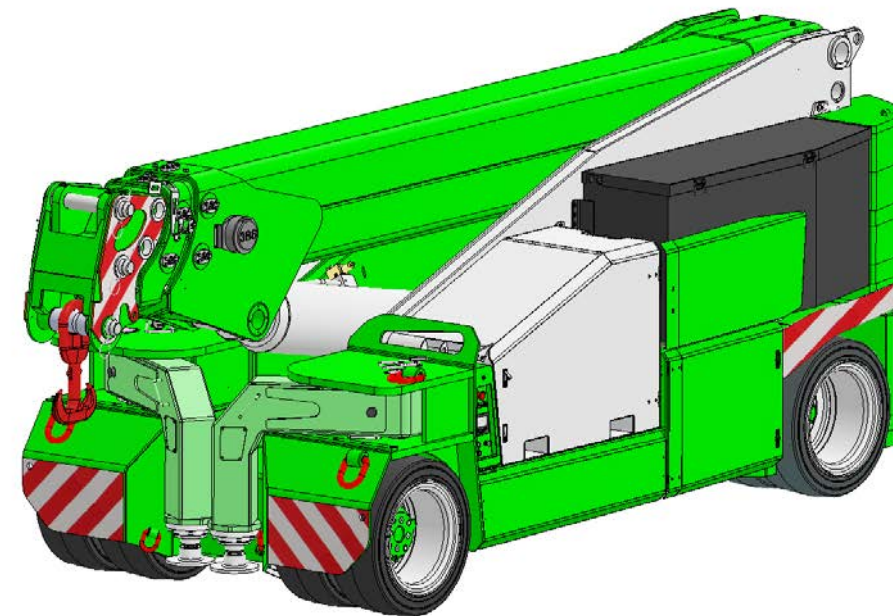
Production Plant

Via Sito Nuovo 14

29010 Sarmato (PC) - Italy

t +39 0523 8486

e info@jmgcranes.com



**MC 350S (inch)**  
Max Capacity 77,000 lbs

[www.jmgcranes.com](http://www.jmgcranes.com)

**JMG**<sup>®</sup>  
movetosolution

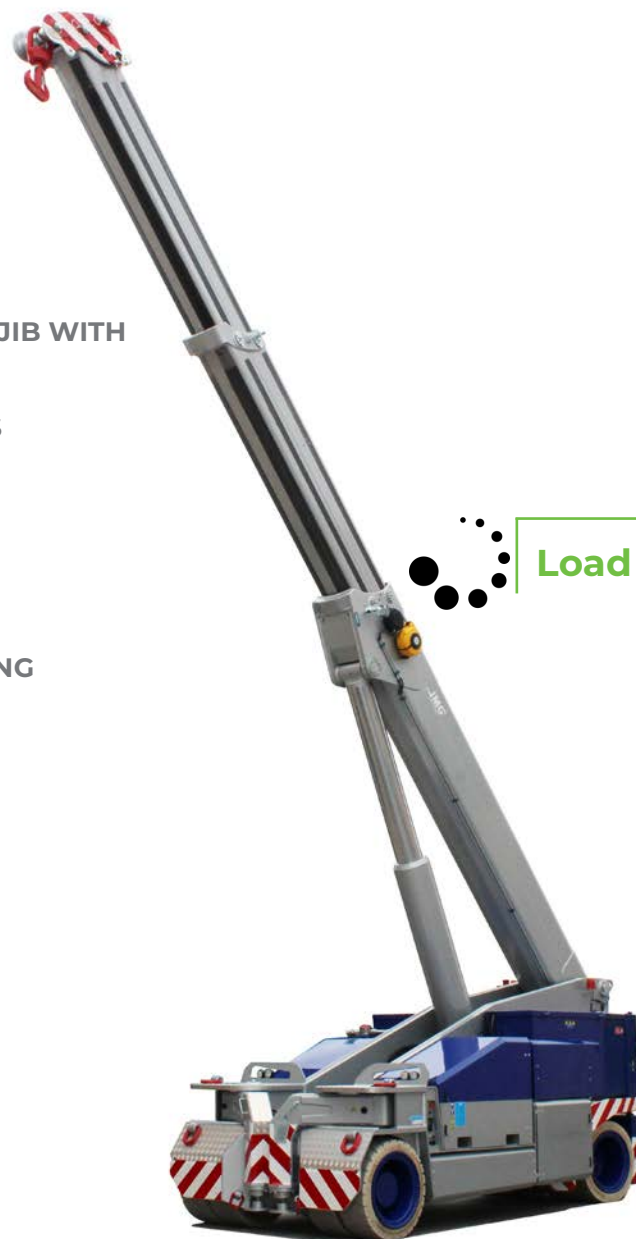
# MC 350S

FRONT-WHEELS DRIVE WITH COUNTER ROTATION  
HYDRAULICALLY TELESCOPING PROPORTIONAL TYPE BOOM

REMOVABLE COUNTERWEIGHTS  
180° REAR STEERING

### Options :

- HYDRAULIC WINCH
- HYDRAULIC JIB
- BENDABLE MANUAL JIB WITH MANUAL EXTENSION
- NON-MARKING TIRES
- FRONT OUTRIGGERS
- HYDRAULIC FORKS
- MAN BUCKET
- ATEX CONVERSIONS
- CUSTOMIZED PAINTING

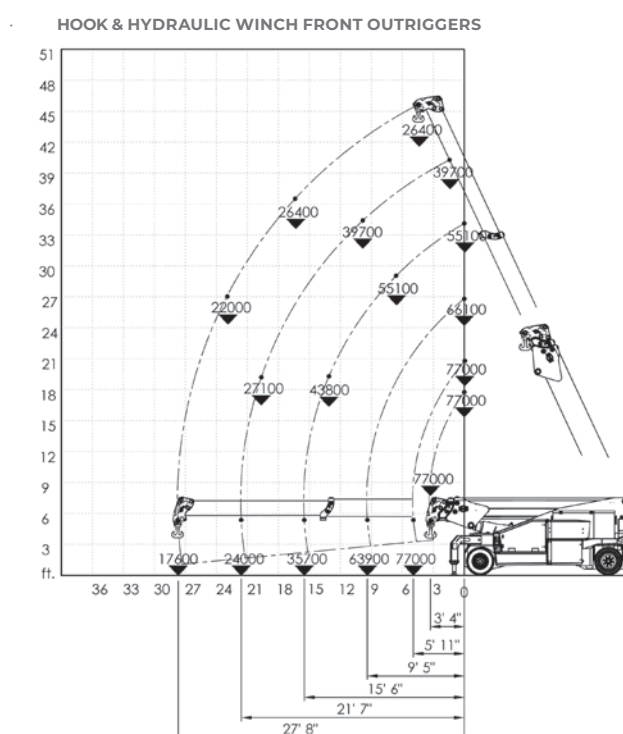
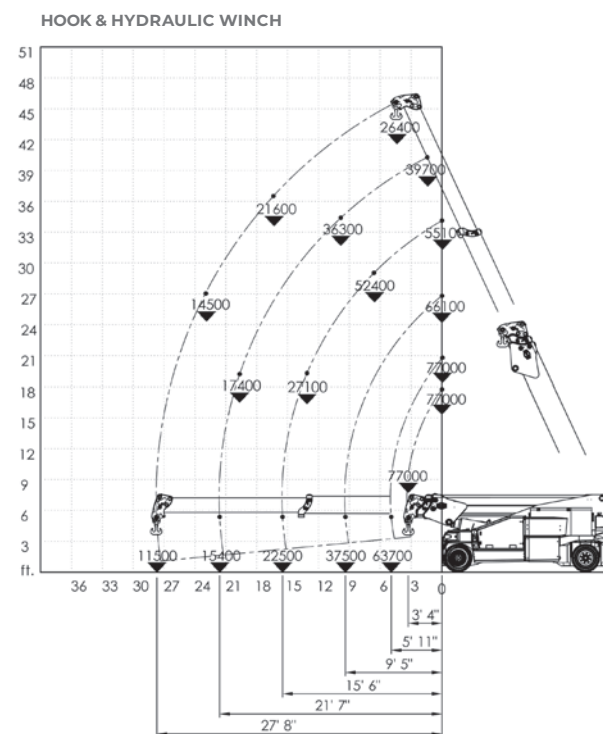


## Technical features

Max Capacity lbs	77,000
Dimensions inch	16'11" x 7'4" x 7'6"

Front-wheels drive. 2 electric motors AC 12 kW 96V Insulation class H	LMI Electronic safe load indicator and tilting moment limiter
Total lbs 67,100 Removable counterweights lbs 19,100	Hydraulically foot controlled service brake on all wheels, hydraulically automatic or button controlled parking brake on front wheels
96 V - 1395 Ah 8 working hours	Fabricated from preformed and welded quality steel plate
Front nr. 4 superelastic 355/50-20" Rear nr. 4 superelastic 355/50-20"	+60°/-7°
Rear Steering angle -90°/+90°	Motor driven pump 1x35 kW - 96 V AC, 1x23 kW - 96 AC.

## Load charts



## EU Standards CE

UNI ISO 4030-1: A1
2006/42/CE- 2000/14/CE -2014/30 UE 2014/35/UE - D.Lgs 262/2002 subsequent modifications
EN 13000:2014 subsequent modifications



## Dimensions

