

Data subject to change without prior notice
Edition 03/2020 © 2020 JMG Cranes S.p.A. All rights reserved
Rev.1 - 03/20

JMG Cranes S.p.A.

Sales & Service Office

Via Bergamo, 142

26100 Cremona - Italy

t +39 0372 1786738

Production Plant

Via Sito Nuovo 14

29010 Sarmato (PC) - Italy

t +39 0523 8486

e info@jmgcranes.com



Electric Pick & Carry Cranes



**MC 50000RE
(inch)**

**Max Capacity
110,000 lbs**

www.jmgcranes.com

JMG[®]
movetosolution

MC 5000RE

CARRY DECK SLEWING CRANE WITH 360° CONTINUOUS AND UNLIMITED HYDRAULIC BOOM ROTATION

7 SEQUENTIAL EXTENSIONS ARTICULATED BOOM

4 INDEPENDENT EXTENDABLE OUTRIGGERS, FOLDABLE FOR TRANSPORTATION

FULLY RADIO-CONTROLLED

REMOVABLE COUNTERWEIGHTS

CAPACITY MAX. ON TIRES KG 7000

Optionals:

- 4 EXTENSIONS TILTABLE FLY JIB
- HYDRAULIC WINCH
- NON-MARKING TIRES
- ATEX CONVERSIONS
- CUSTOMIZED PAINTING



Static moment
ma x lbs

110,000

Dimensions
inch

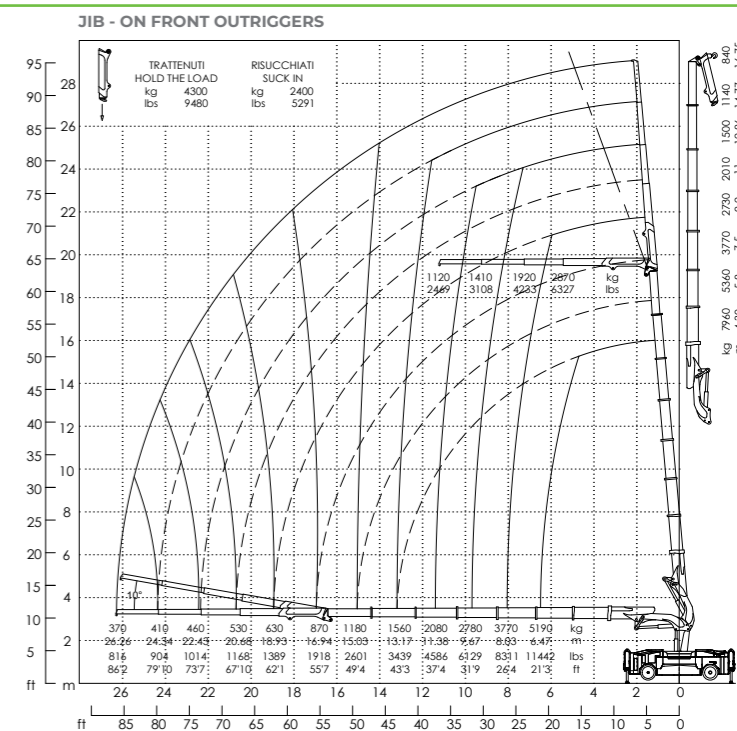
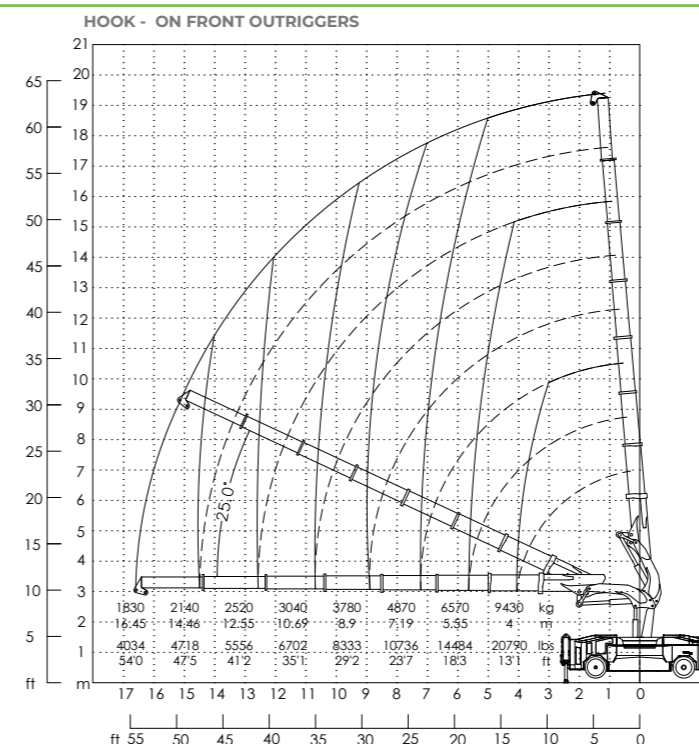
16'9"x6'8"x9' 2"



Technical features

	Front-wheels drive. 2 electric motors 10 AC kW 26 V Insulation class H		Electric Load Moment Indicator System
	Total lbs 48,500 Removable counterweights lbs 4,500		Automatic braking system on front and rear wheels
	96 V -1240 Ah 8 working hours autonomy		Fabricated from preformed and welded steel plate
	Front n. 2 cushion 28x16x22 Rear n. 2 cushion 28x10x22		Boom inclination angle +85° Rotation time 360°/70 s
	Rear by steering axle. Steering angle -90°/+90°		Motor driven pump hydraulic system 16 kW - 96 V AC 35 kW - 96 V AC

Load charts



EU Standards CE

	UNI ISO 4030-1: A1
	2006/42/CE - 2000/14/CE - 2014/30 UE 2014/35/UE - D.Lgs 262/2002 subsequent modifications
	EN 13000:2014 subsequent modifications



Dimensions

